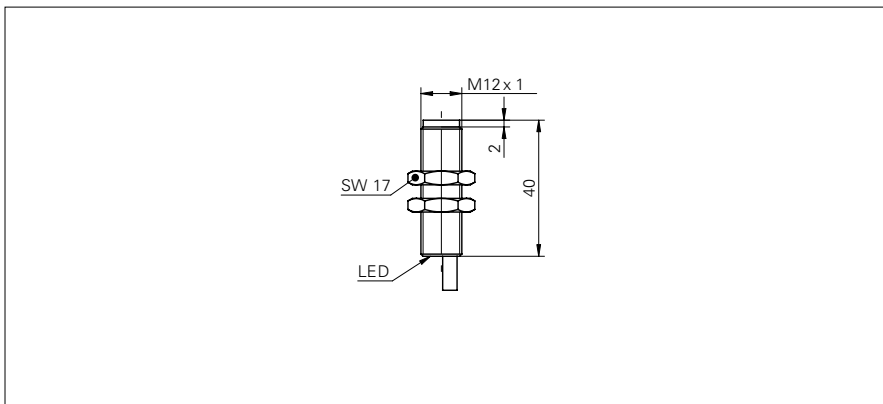


## Inductive proximity switch

IFRK 12

## sample drawing



## general data

mounting type	unshielded
nominal sensing distance $S_n$	4 mm
hysteresis	3 ... 20 % of $S_r$
output indicator	LED red

## electrical data

switching frequency	< 2 kHz
voltage supply range +Vs	10 ... 30 VDC
current consumption max.	10 mA
voltage drop $V_d$	< 2 VDC
output current	< 200 mA
short circuit protection	yes
reverse polarity protection	yes

## mechanical data

type	cylindrical threaded
material (sensing face)	PBT
housing material	PBT
dimension	12 mm
housing length	40 mm
connection types	cable, 2 m

## ambient conditions

operating temperature	-25 ... +75 °C
protection class	IP 67

## order reference

IFRK 12N1102/L

IFRK 12P1102/L

## output circuit

NPN make function (NO)

PNP make function (NO)

## sample picture

